

The importance of Hands-on Experience

From Space Grant to Career

Montana Space Grant Consortium

BOREALIS High Altitude Ballooning Program

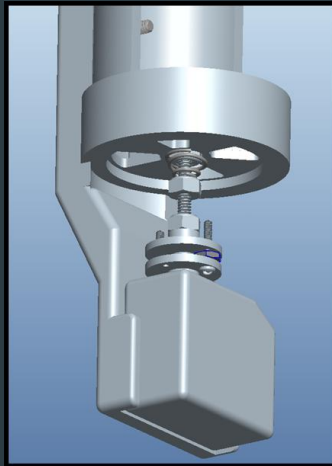


- ▶ High altitude balloon research
- ▶ Student designed experiments
- ▶ Student flown balloon platform

Hands-on Experience With BOREALIS:



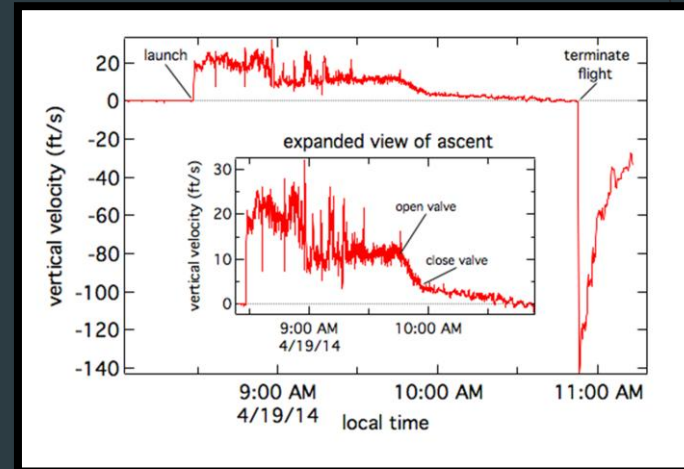
Early Helium vent test for neutral buoyancy valve



CAD model for neutral buoyancy valve



Prototype 3 of neutral buoyancy valve



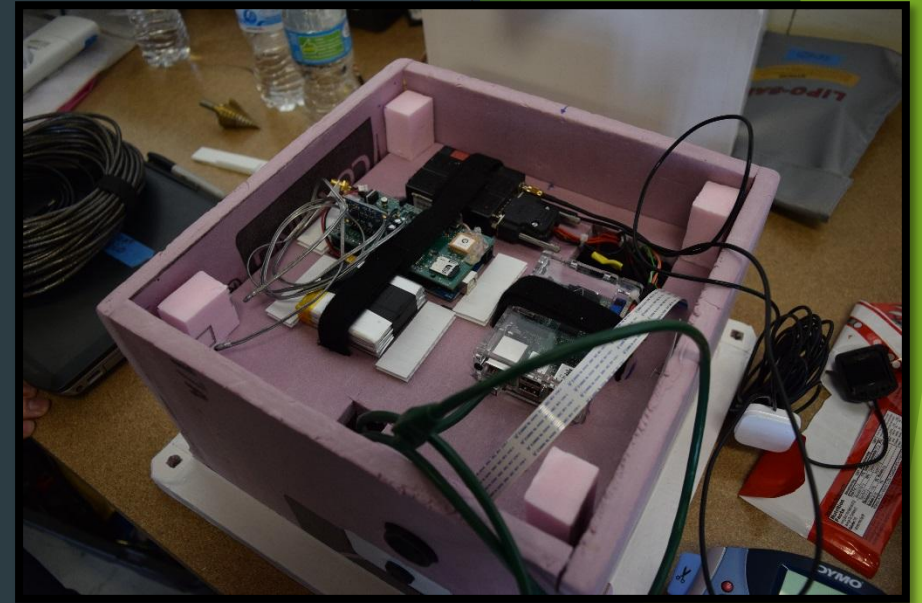
Vertical velocity vs. time for neutral buoyancy valve test

Payload Opportunity

Flying a guest payload with World View:

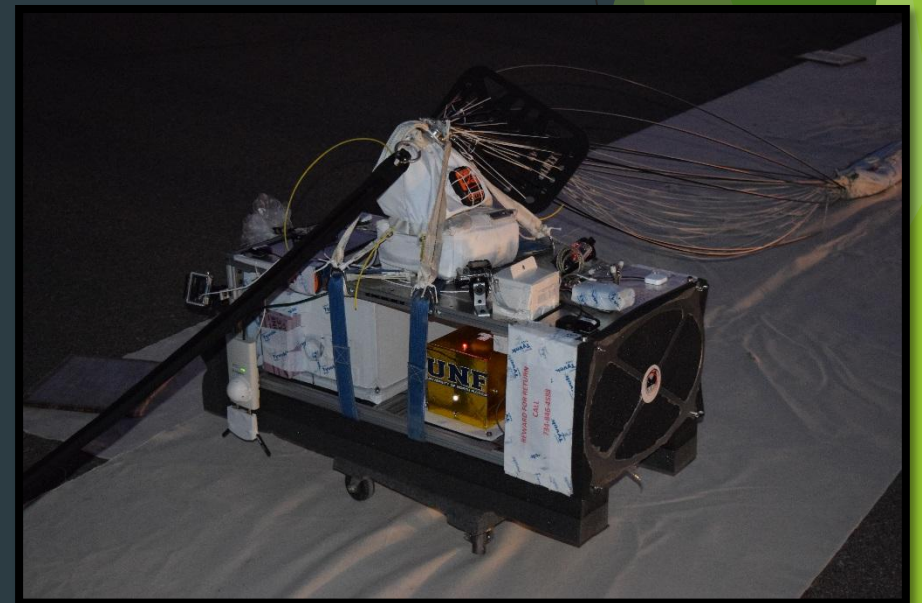


From Left: Randal Larimer, Sam, Tim Basta, Scott Miller, Trevor Clark



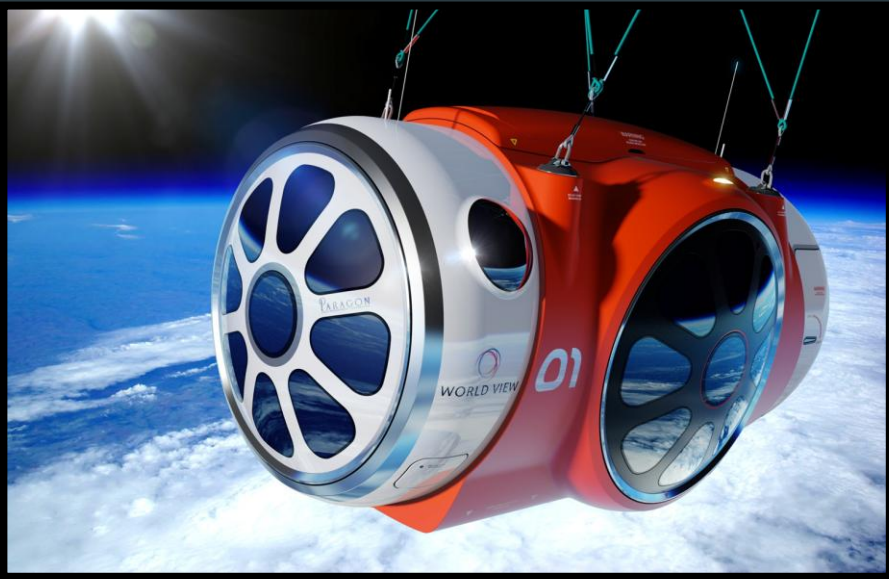
Above: MSU Payload, disassembled

Below: Complete Worldview Tycho Payload





World View



- ▶ Passenger Flight Provider
- ▶ Un-manned Payload Flight provider

My Role at World View



- ▶ Mechanical Design
- ▶ Prototyping
- ▶ Testing
- ▶ Assembly
- ▶ Launch Operations
- ▶ Payload Recovery

Looking Forward



- ▶ Mass simulator flights
- ▶ Development of the manned Voyager capsule
- ▶ First manned flight for World View

Thank You



WORLD VIEW®

- ▶ Angela Des Jardins
- ▶ Berk Knighton
- ▶ Randal Larimer
- ▶ Chris Harmon
- ▶ Jennifer Fowler
- ▶ Montana Space Grant Consortium